

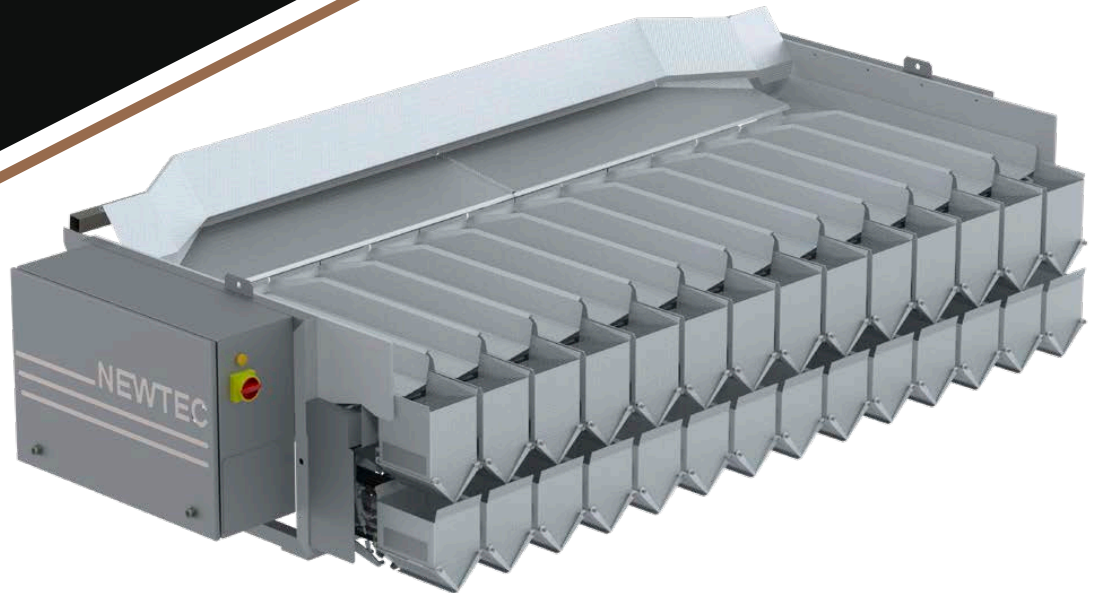


NEWTEC WEIGHING MACHINE

PCB-SERIES

2009PCB-2B / 2014PCB-2B

WIDTH OF WEIGH HEADS
152 MM
HEIGHT OF WEIGH HEADS
235 MM



Accurate combination weighing of processed food

Advantages

- Combining speed and weighing accuracy
- High weighing accuracy: Typical giveaway: less than 0.4%
- High speed – up to 80 portions/min. at 0,5 kg (2014PCB-2B)
- Vibrator chutes for optimal distribution of products to the weigh heads
- Detachable weigh heads for easy cleaning
- Rigidised stainless steel on all surfaces with food contact to minimize bridging of products
- Option: Newtec WebServices for remote servicing, data collection and analysis
- Option: Newtec MachineLink for easy control of more Newtec machines from only one touchscreen

Application

Processed food such as:

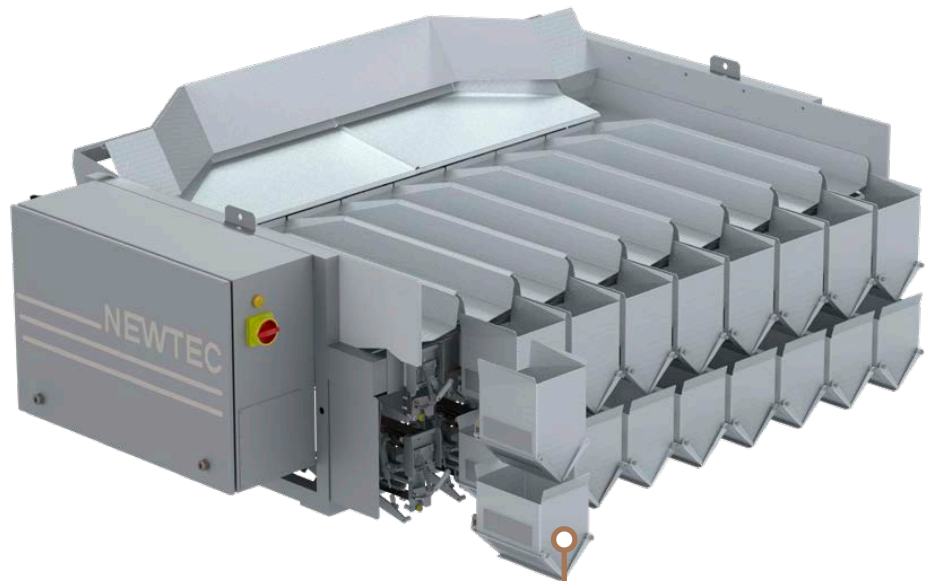
- Fish fillets • Squids • Shellfish • Broccoli • Brussel Sprouts
- Potatoes • Similar fresh and frozen products



WEBSERVICES AVAILABLE
FOR REMOTE SERVICING

YOUR ADVANTAGES

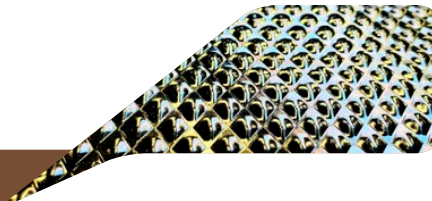
- User friendly software
– programmable in seconds
- Count by weight, minimum weight or average weight programs
- Capable of running with one or more channels disabled
- Removable weigh heads
– no tools required
- Easy access for cleaning and service
- Low friction surfaces



Detachable weigh heads

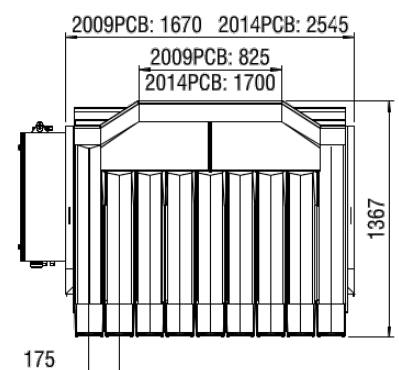
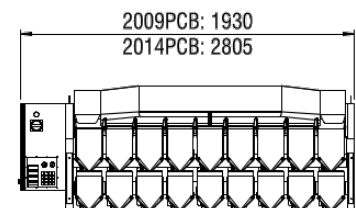
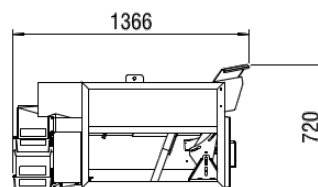
- Height: 235 mm
- Width: 152 mm
- Depth: 200 mm
- Theoretical volume: 4,8 L

RIGIDISED STAINLESS STEEL



COMBINATION WEIGHING MACHINE WITH 9 / 14 CHANNELS

Model	2009PCB-2B	2014PCB-2B
Speed / Capacity	Up to 45 portions/ min. at 0,5 kg.	Up to 80 portions/ min. at 0,5 kg.
Weight	400 kg. (excl. portion collection system)	600 kg. (excl. portion collection system)
Portions sizes	0,25 - 5 kg. (depending on product)	0,25 - 7,5 kg. (depending on product)
Air requirement		
Connection	3/8"	
Min. pressure	6 bar (0.6 Mpa)	
Consumption	25-50 NL/min.	
Weigh head volume	4,8 L	
Weigh head width	152 mm	
Material	According to the EU/FDA rules on food contact materials	
Protection class	IP65	
Electrical requirement	3x220 VAC or 3x400 VAC (N)+PE	
Environment	5° C – 40° C	



NEWTEC SOFTWARE

- Intuitive user interface
- Informative and upgradable
- Same user interface on all Newtec weighing and packing machines

